

BSFH77G29

Satellite Tuner

FEATURES

- Digital AFT out
- Standup Package
- AGC sample out
- Internal tuning via PLL
- Compact, lightweight design (22 cc)

DESCRIPTION

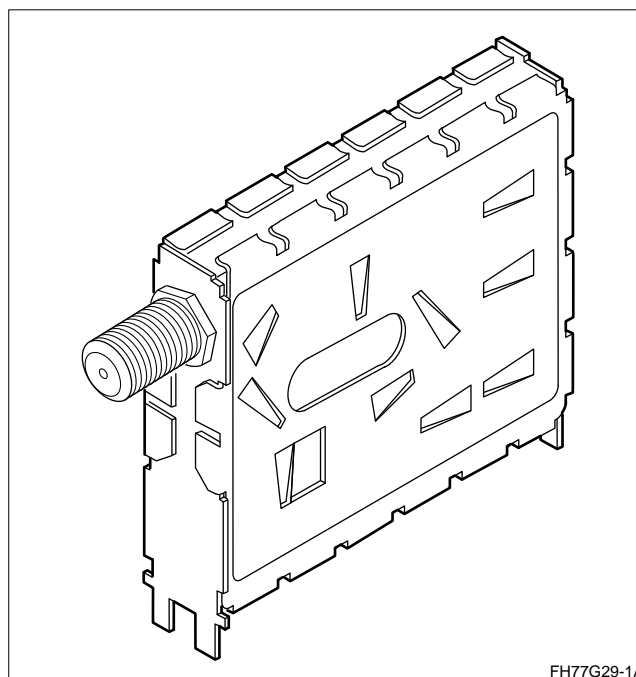
The BSFH77G29 is an integrated single conversion tuner and FM demodulator. It was designed for the reception of analog signals. It has a single input and a combined video and audio output. The input frequency range is 920 to 2,050 MHz. A 27 MHz switchable bandpass filter is positioned at the first IF. A digital AFT output is provided for evaluation of receiver system accuracy.

This tuner can be controlled by an internal TSA5055S PLL with I2C interface.

For more information on this product, please contact your local Sharp representative.

APPLICATIONS:

- Satellite receiver
- Data receiver
- Wide-band front end



FH77G29-1A

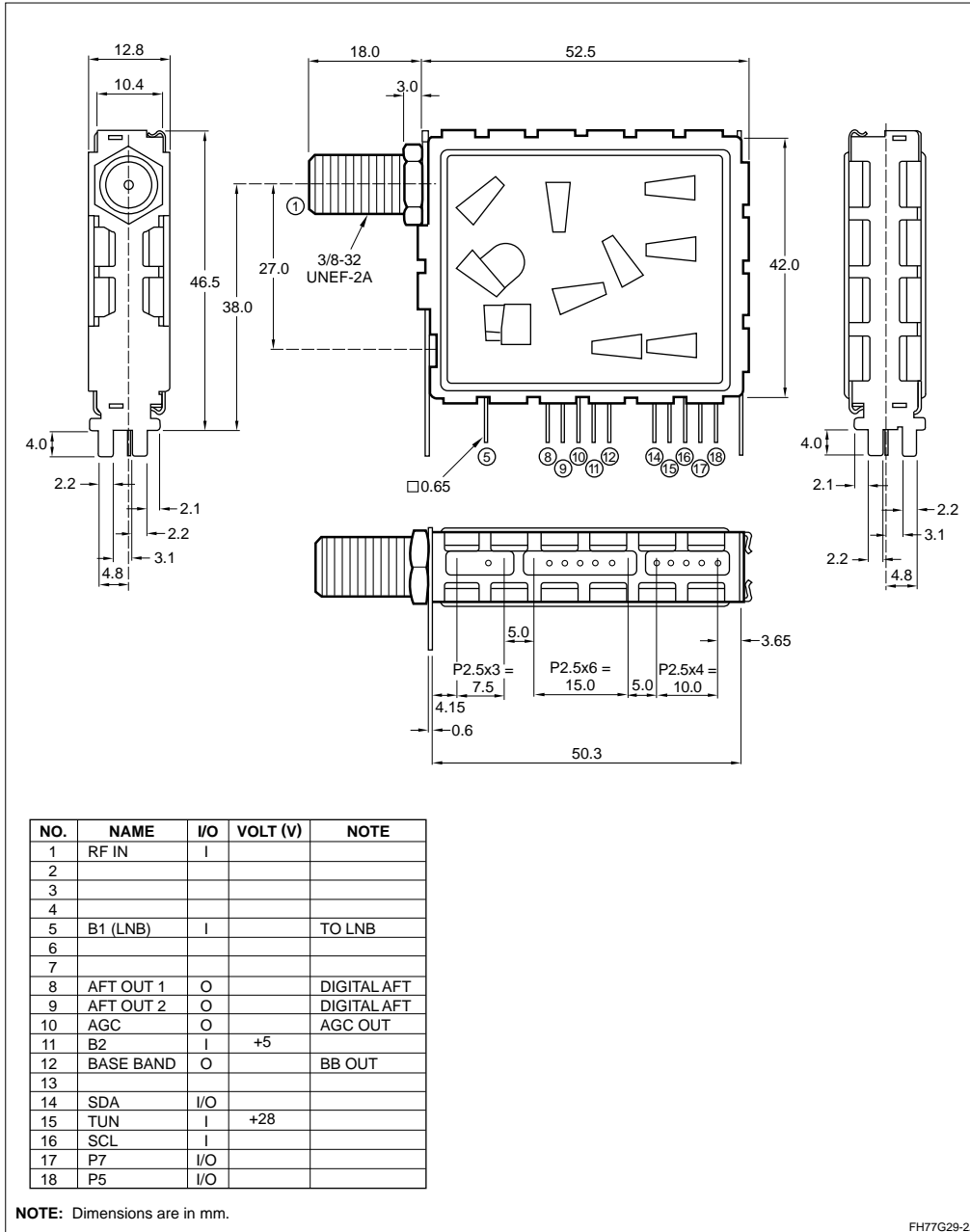
SPECIFICATIONS

Receiving Frequency Range	920 to 2,050 MHz
Input Level	-60 to -30 dBm
Input Impedance	75 Ω
Intermediate Frequency	479.5 MHz
Channel Selection System	Frequency synthesizer with I2C (Clock: 4 MHz)
Operating Supply Voltage	5 \pm 0.3 V
Operating ODU Voltage	25 V
Operating Tuning Voltage	28 \pm 1.4 V
IF Bandwidth	27 MHz
Demodulation System	PLL
Input Structure	F type female
Prescaler Division Ratio	-

PRODUCT INFORMATION

SHARP

BSFH77G29 MECHANICAL DIMENSIONS



Sharp Electronics Corporation Regional Sales Offices

North American Headquarters

Camas, WA
Ph (360) 834-2500
Fax (360) 834-8903

West

Irvine, CA
Ph (714) 250-0225
Fax (714) 250-0438
San Jose, CA
Ph (408) 436-4900
Fax (408) 436-0924

Central

Romeoville, IL
Ph (708) 226-2400
Fax (708) 759-8572
Auburn Hills, MI
Ph (810) 377-9220
Fax (810) 377-9222

Austin, TX

Ph (512) 349-7262
Fax (512) 349-7002

DFW Airport, TX
Ph (214) 574-5205
Fax (214) 456-0360

Houston, TX

Ph (713) 955-9909
Fax (713) 955-9910

East

Burlington, MA
Ph (617) 270-7979
Fax (617) 229-9117

Annandale, NJ

Ph (908) 713-0505
Fax (908) 713-0566

Durham, NC

Ph (919) 941-0065
Fax (919) 941-0066

Distributors

Future Electronics

Canada
Ph (514) 694-7710
Fax (514) 695-3707

Marshall Industries

El Monte, CA
Ph (800) 522-0084
Fax (818) 307-6173
URL <http://www.marshall.com>

Milgray

Farmingdale, NY
Ph (800) MILGRAY (645-4729)
Fax (516) 293-6465

Reptron

Tampa, FL
Ph (800) 659-1361
Fax (813) 854-2351

Sterling Electronics Corp.

Houston, TX
Ph (800) 745-5500
Fax (713) 629-3939

FastFax Service: 1-800-833-9437

Product Information: 1-800-642-0261

World Wide Web Site: <http://www.sharpmeg.com>

SHARP
FROM SHARP MINDS
COME SHARP PRODUCTS™